

Part Number: PT398-34111

Conflicts

Do not install into vehicles without RKE system.

Recommended Sequence of Application

Item #	Accessory	
1	TVIP/RES	Any TVIP or RES system
2	XM Radio	

Kit Contents

Item #	Quantity	Description
1	1	Wire Harness
2	1	RES ECU Mounting Bracket
3	1	RES ECU Mounting Plate
4	1	Gateway ECU Bracket

Hardware Bag Contents

Item #	Quantity	Description
1	1	RES ECU
2	1	Gateway ECU
3	2	Small Foam Tape Strips (1 per.)
4	1	Large Foam Tape Strips (2 per)
5	25	Wire Ties
6	2	M6 Flange Nut
7	4	Window Warning Labels (English/Spanish)
8	4	Key Labels (English/Spanish)
9	4	Key Tags (English/Spanish)
10	2	Engine Room Warning Labels (English/Spanish)
11	1	Owner's Manual


Additional Items Required For Installation


Item #	Quantity	Description
1	1	Black Electrical Tape


Recommended Tools


Personal & Vehicle Protection	Notes
Safety Glasses	
Safety Gloves	(Optional)
Vehicle Protection	Blankets, Parts Boxes, etc.
Special Tools	Notes
Terminal Tension Blade	Toyota SST # 00002-025BL-01 Or Sumitomo P/N 319-0000
Installation Tools	Notes
Screwdriver	#2 Phillips
Nylon Panel Removal Tool	e.g. Panel Pry Tool #1 Toyota SST # 00002-06001-01
Side Cutters	
Torque Wrench	Battery - 52 in•lbf (5.9 N•m), Airbag - 88.5 in•lbf (10 N•m)
Utility Knife	
Tape	Clear
Socket	10mm, Extension
Special Chemicals	Notes
Cleaner	VDC Approved Cleaner
Glass Cleaner	Household Glass Cleaner


Legend


 **STOP:** Damage to the vehicle may occur. Do not proceed until process has been complied with.

 **OPERATOR SAFETY:** Use caution to avoid risk of injury.

 **CAUTION:** A process that must be carefully observed in order to reduce the risk of damage to the accessory/vehicle and to ensure a quality installation.

 **TOOLS & EQUIPMENT:** Used in Figures calls out the specific tools and equipment recommended for this process.

 **REVISION MARK:** This mark highlights a change in installation with respect to previous issue.

 **SAFETY TORQUE:** This mark indicates that torque is related to safety.

Care must be taken when installing this accessory to ensure damage does not occur to the vehicle. The installation of this accessory should follow approved guidelines to ensure a quality installation.

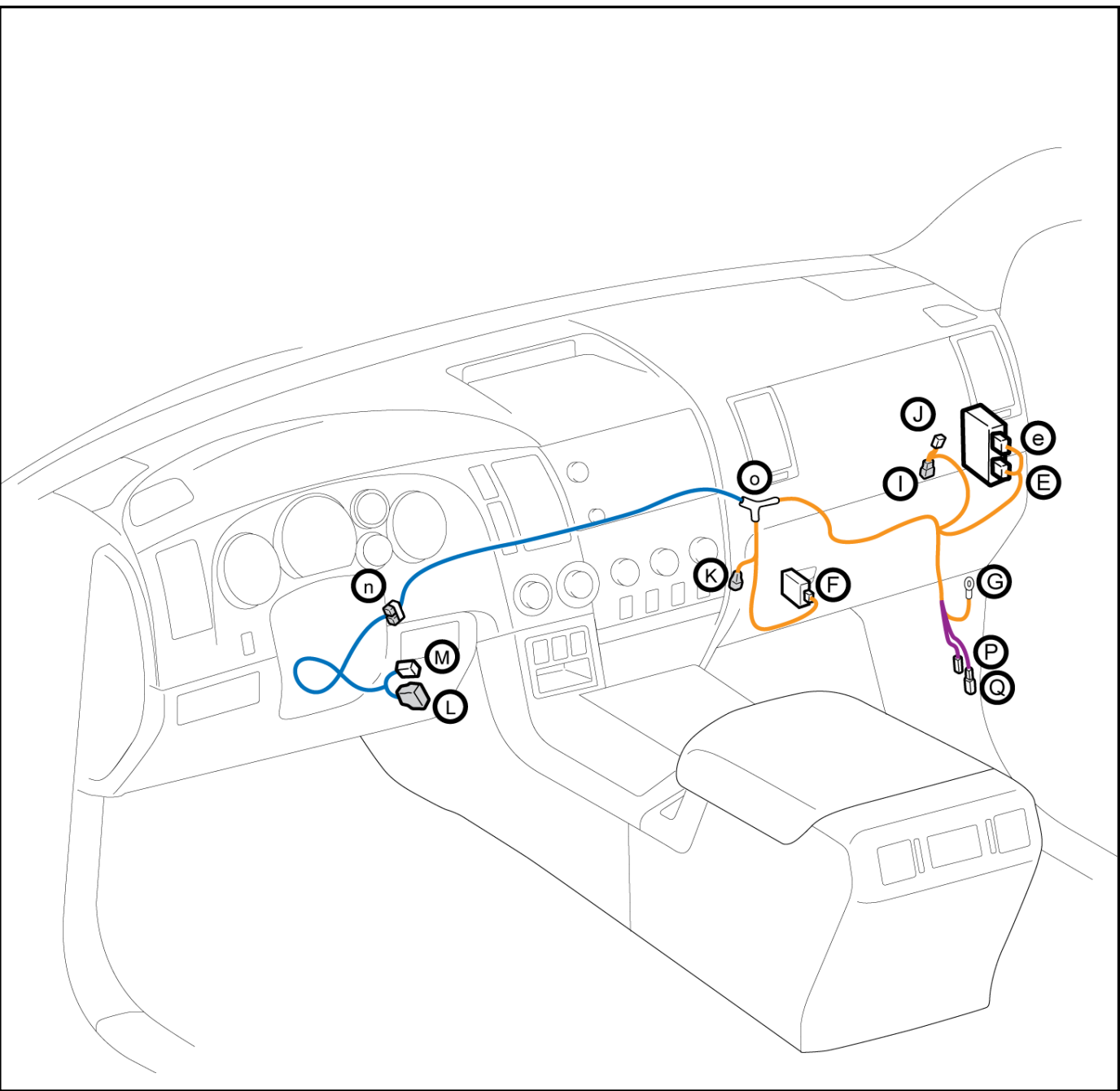
These guidelines can be found in the "Accessory Installation Practices" document.

This document covers such items as:

- Vehicle Protection (use of covers and blankets, cleaning chemicals, etc.)
- Safety (eye protection, rechecking torque procedure, etc.)
- Vehicle Disassembly/Reassembly (panel removal, part storage, etc.)
- Electrical Component Disassembly/Reassembly (battery disconnection, connector removal, etc.)

Please see your Toyota dealer for a copy of this document.

TVIP	Vehicle	Description
E	-	20P WHITE <i>for RES ECU</i>
e	-	8P WHITE <i>for RES ECU</i>
F	-	5P WHITE <i>for Gateway ECU</i>
G	H3	Ground Terminal
I	H118	22P BLACK
J	H118	22P BLACK
K	H66	3P WHITE
L	H10	8P WHITE
M	H10	8P WHITE
n	-	V4 Fuse Box <i>7.5watt (x2)</i>
o	-	White Tape Marker
P	-	1P WHITE <i>for RES Diagnosis</i>
Q	-	1P WHITE <i>for RES Diagnosis</i>



1. Vehicle Disassembly. (Driver's Side)

- +** (a) Place the Vehicle in Park and set the Parking Brake before disconnecting the Battery.

STOP ELECTRONIC TILT ADJUST ONLY: Fully extend the Steering Wheel's Tilt and Telescope positions.

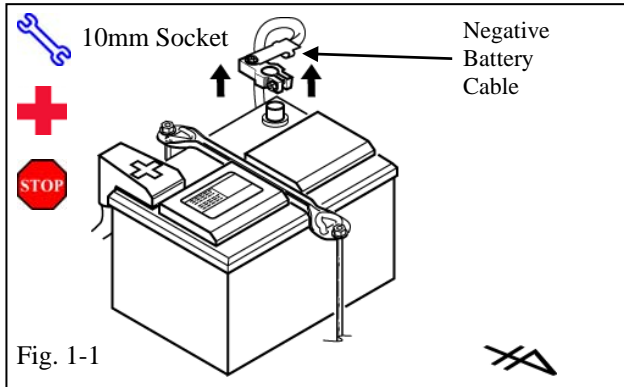


Fig. 1-1

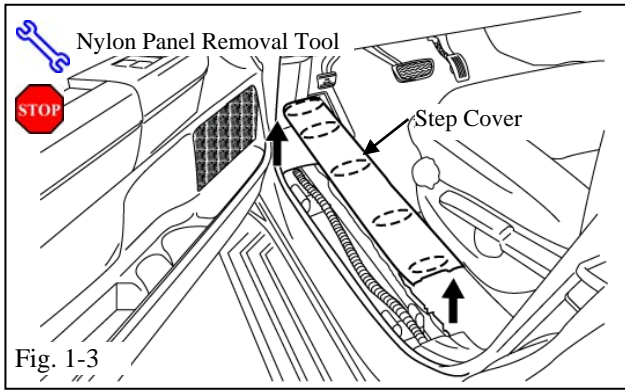
- (b) Remove the Negative Battery Cable. (Fig. 1-1)

- (1) Protect the Fender before starting.
- (2) Note the Battery Cable position, as it will be re-installed in the same position.

+ **CAUTION:** Do not touch the Positive terminal.

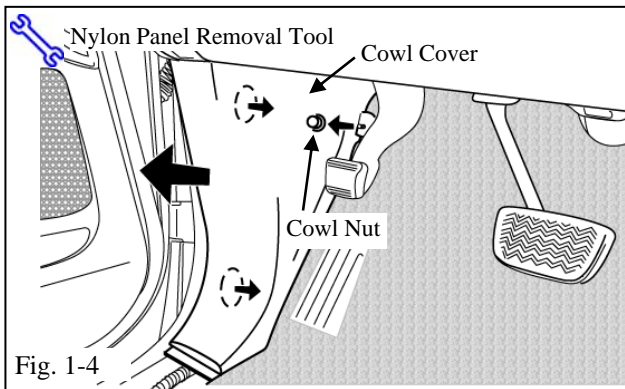
	1	DS Step Cover
	2	DS Cowl Cover
	3	Lower Dash Cover
	4	Lower Steering Column Cover
	5	PS Step Cover
	6	PS Cowl Cover
	7	Glove Box Under Cover
	8	PS Dash Side Cover
	9	PS Airbag Trim
	10	Glove Box
		STOP Remove all corresponding connectors accordingly as you disassemble.

Fig. 1-2



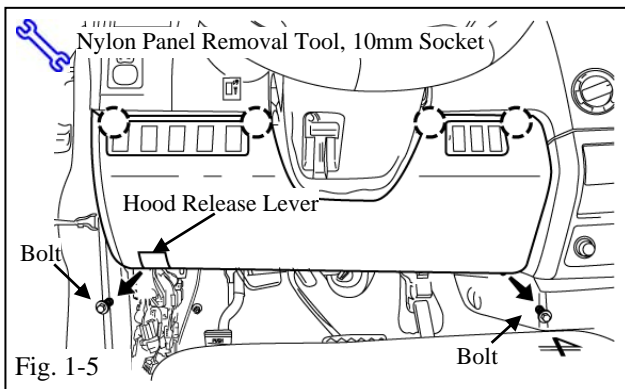
(c) Remove the Driver's Side Step Cover.
(Fig. 1-3)

- (1) Begin by protecting the Vehicle Interior with Blankets.



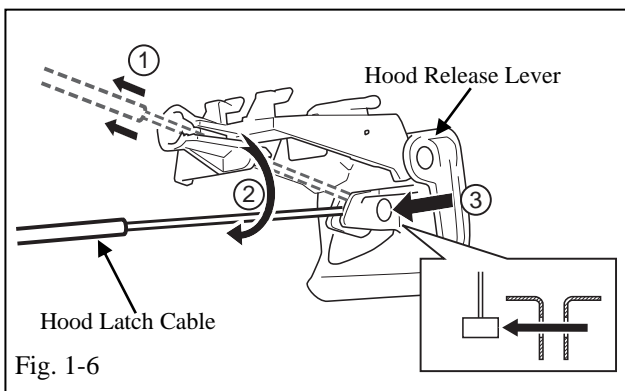
(d) Remove the Driver's Side Cowl Cover.
(Fig. 1-4)

- (1) Remove 1 nut.



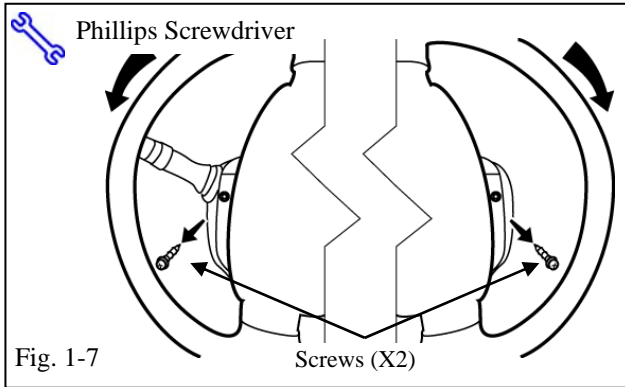
(e) Dislodge the Lower Dash Cover. (Fig. 1-5)

- (1) Remove 2 bolts.
- (2) Disconnect all connectors.



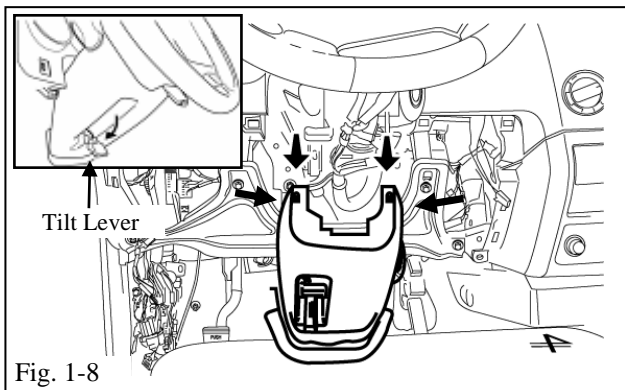
(f) Remove the Hood Latch Cable from the Hood Latch Lever. (Fig. 1-6)

(g) Remove the Lower Dash Cover.



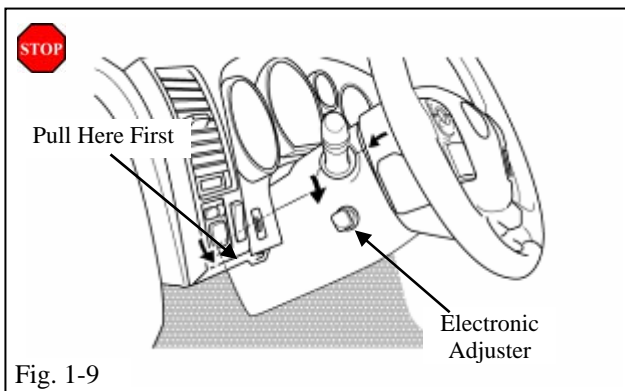
- (h) Remove the 2 Screws that secure the Lower Steering Column Cover. (Fig. 1-7)
 - (1) Insert the key into the Ignition and turn it to "ON."
 - (2) Turn the Steering Wheel left then right to gain access to the 2 screws securing the Cover.

FOR USE ON VEHICLES WITH MANUAL TILT ADJUST (steps i-j)



- (i) Release the Tilt Lever. (Fig. 1-8)
- (j) Press inwards on each side of the Steering Column Cover while pulling downward to remove the cover. (Fig. 1-8)

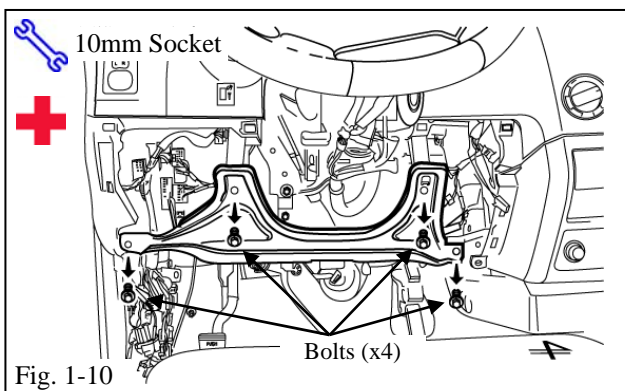
FOR USE ON VEHICLES WITH ELECTRONIC TILT ADJUST (steps k-l)



- (k) Press in on each side and pull down on the lower section of the Lower Steering Column Cover to release it from the Top Section. (Fig. 1-9)
- (l) Pull out on the Top Left Corner of the Steering Column Cover to clear the Electronic Steering Column Adjuster Knob. (Fig. 1-9)



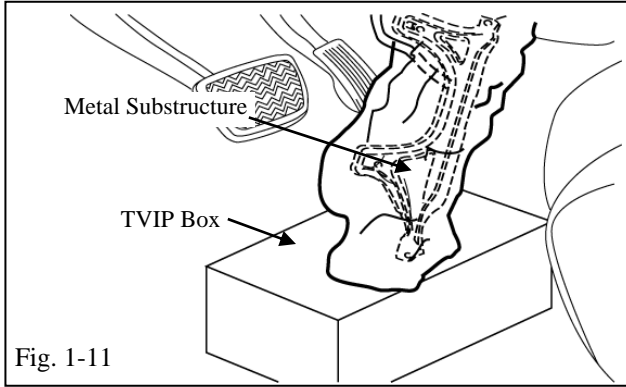
CAUTION: Avoid scratching the vehicle.



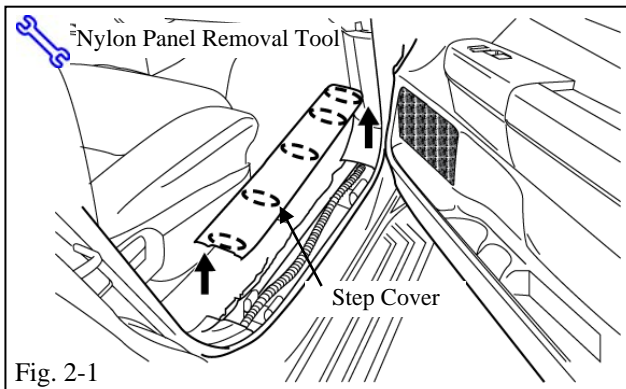
- (m) Dislodge the Driver's Side Knee Airbag. (Fig. 1-10)
 - (1) Remove 4 Bolts.
 - (2) Remove the Vehicle's Diagnostic Connector.



CAUTION: Sharp metal edges.

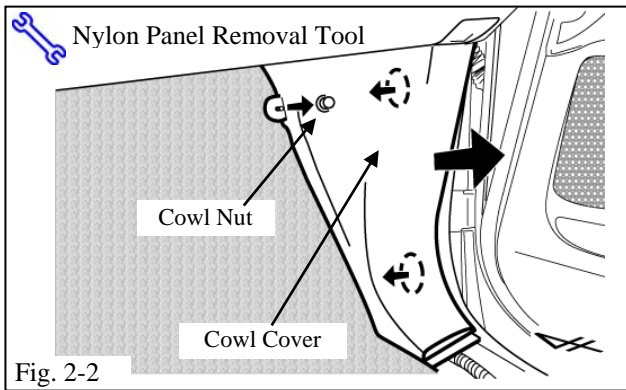


- (n) Wrap the Airbag in a blanket and place on a box to avoid tension on the harness.
(Fig. 1-11)

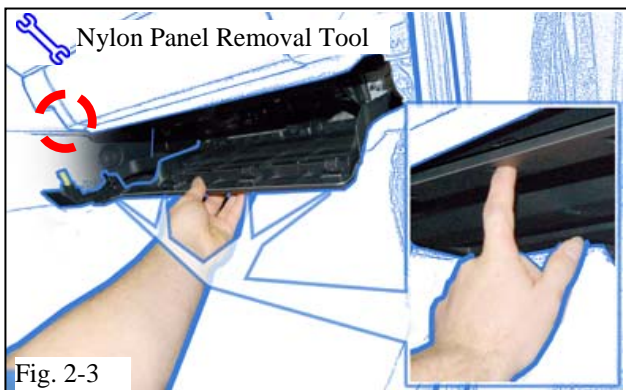


2. Vehicle Disassembly. (Passenger's Side)

- (a) Remove the Passenger's side Step Cover.
(Fig. 2-1)



- (b) Remove the Passenger's side Cowl Cover.
(Fig. 2-2)
 - (1) Remove 1 Nut.



- (c) Remove the Glove Box Under Cover.
(Fig. 2-3)

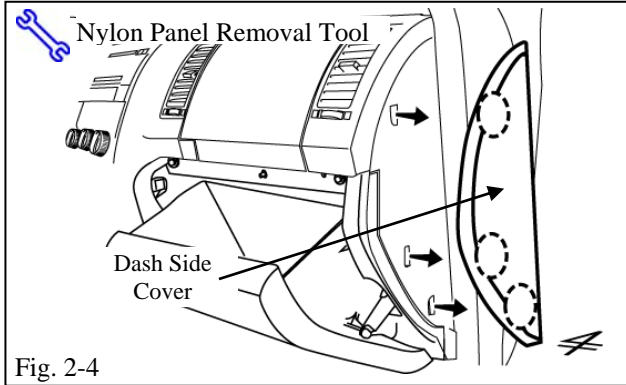


Fig. 2-4

- (d) Open the Glove Box. (Fig. 2-4)
- (e) Remove the Passenger's Dash Side Cover. (Fig. 2-4)
- (f) Close the Glove Box.

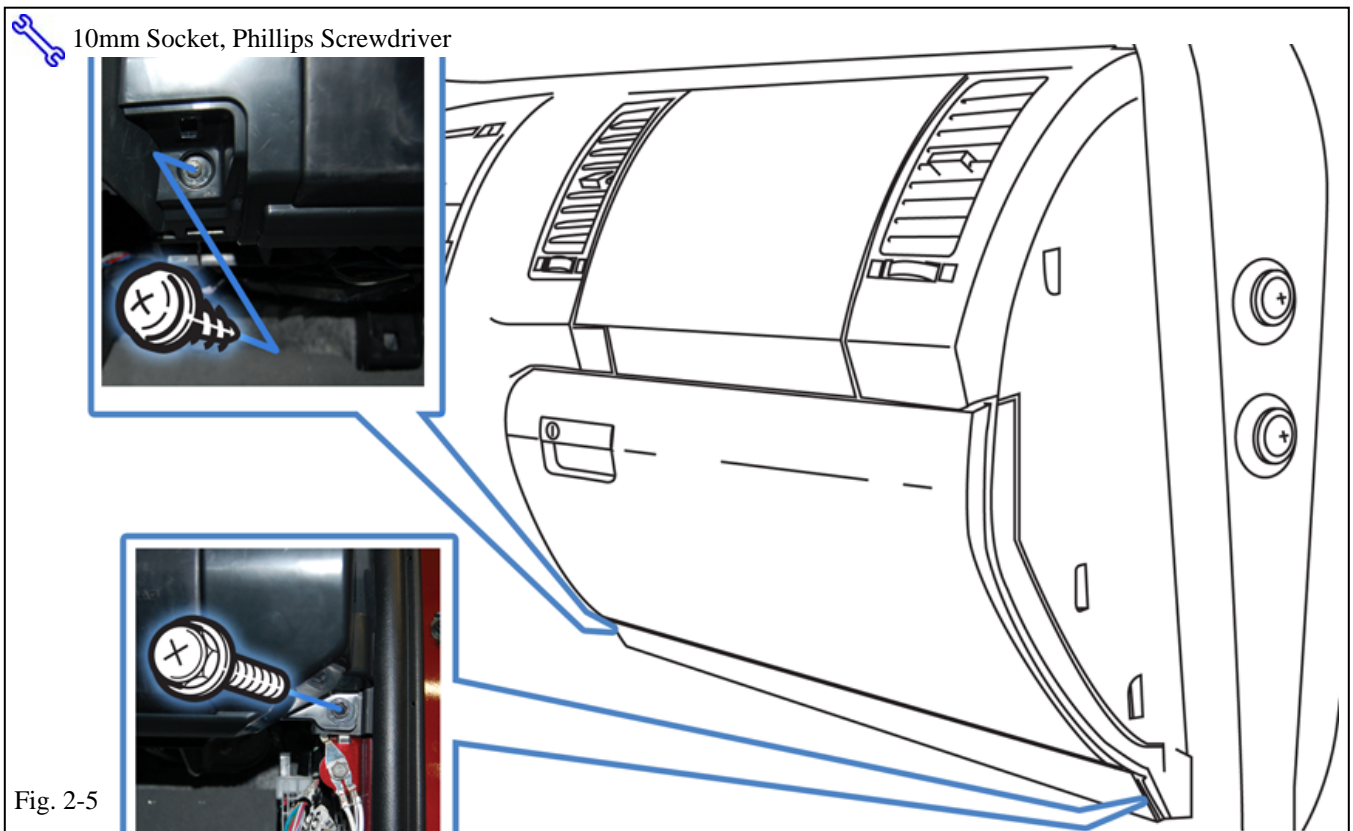


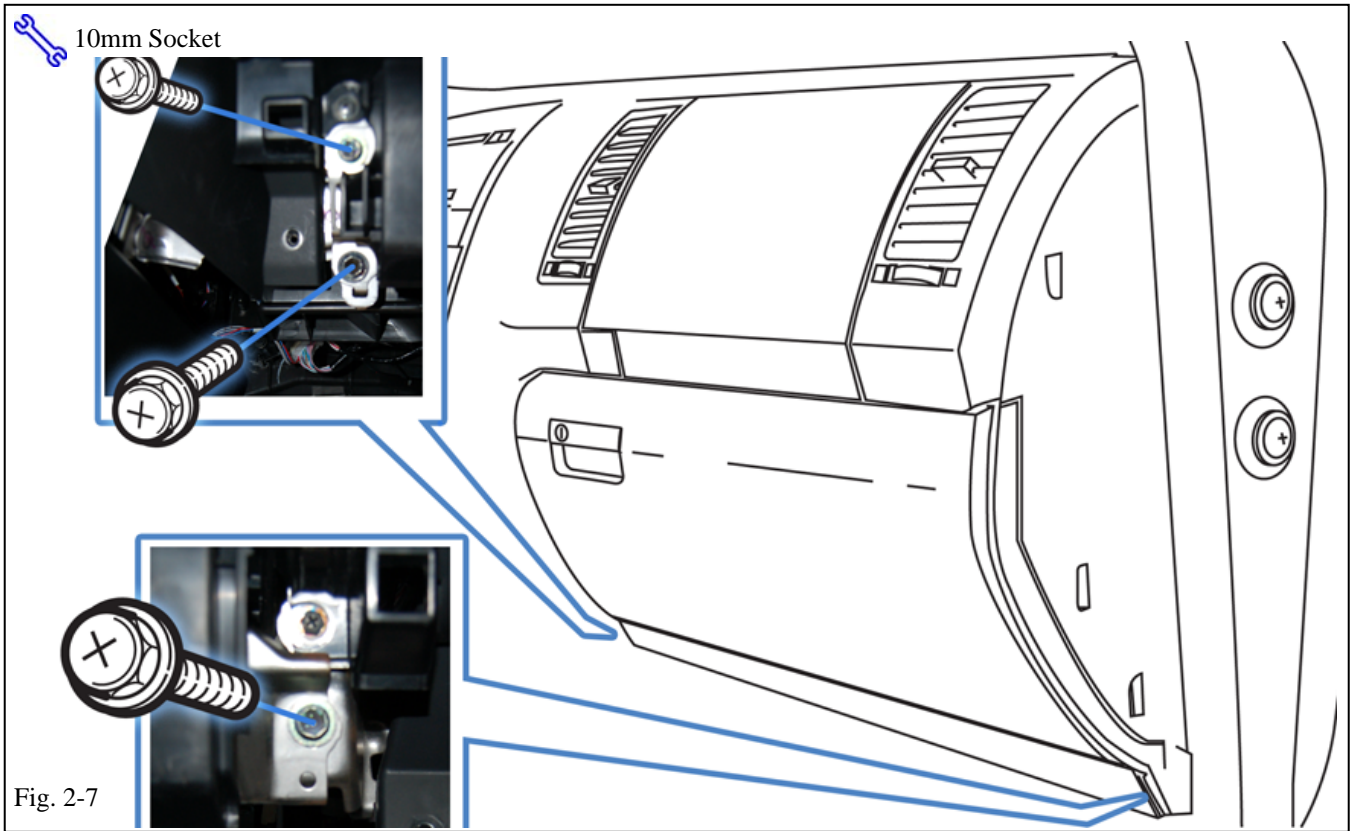
Fig. 2-5

- (g) Remove 1 Screw and 1 Bolt from the Passenger's Side Knee Airbag Brace Trim. (Fig. 2-5)



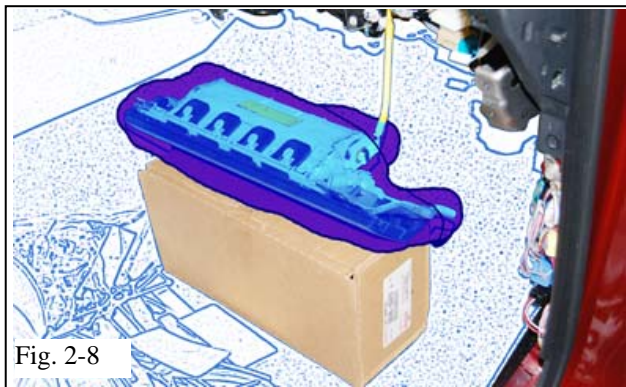
Fig. 2-6

- (h) Remove the Passenger's Side Knee Airbag Brace Trim. (Fig. 2-6)

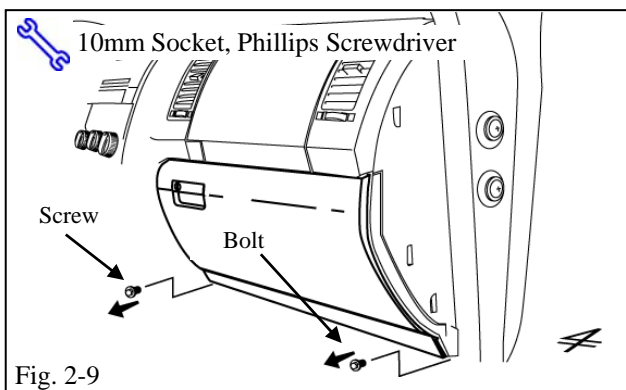


(i) Dislodge the Passenger's side Knee Airbag. (Fig. 2-7)

(1) Remove 3 Bolts.

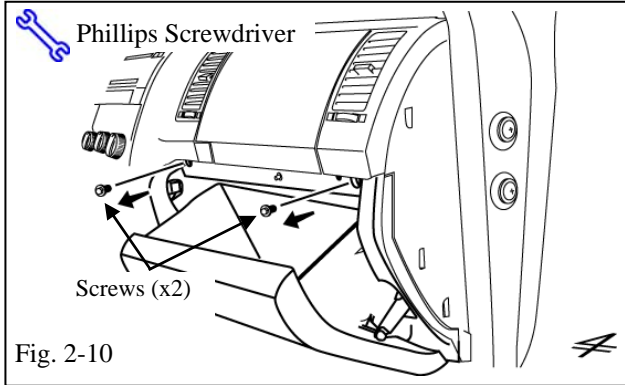


(j) Wrap the Airbag in a blanket and place on a box to avoid tension on the harness. (Fig. 2-8)



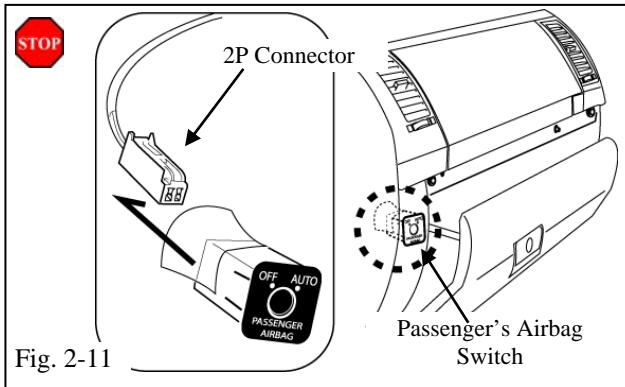
(k) Remove 1 Screw and 1 Bolt from the bottom of the Glove Box. (Fig. 2-9)

(1) Close the Glove Box.



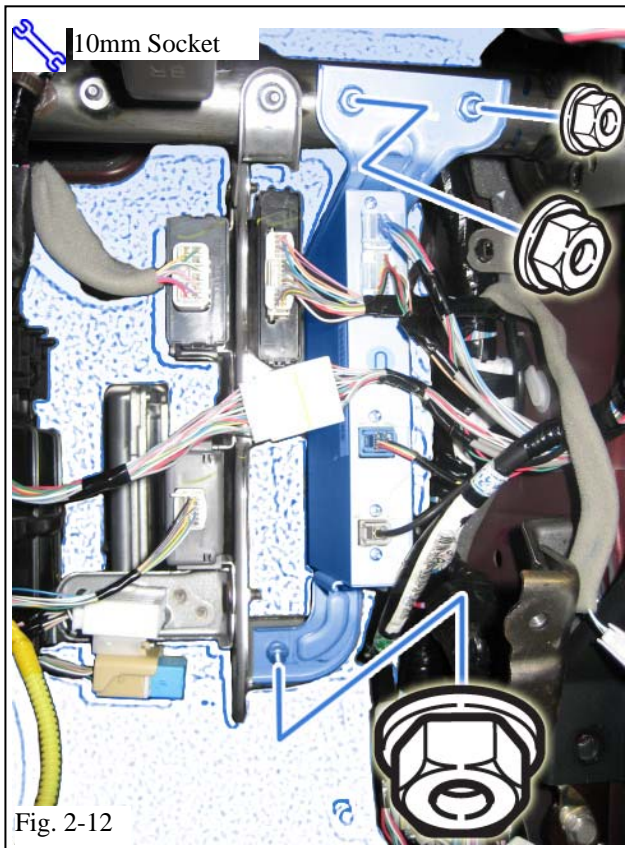
- (l) Remove the Glove Box. (Fig. 2-10)
 - (1) Open the Glove Box.
 - (2) Remove 2 Screws.

FOR VEHICLES EQUIPPED WITH PASSENGER'S AIRBAG SWITCH (step m)

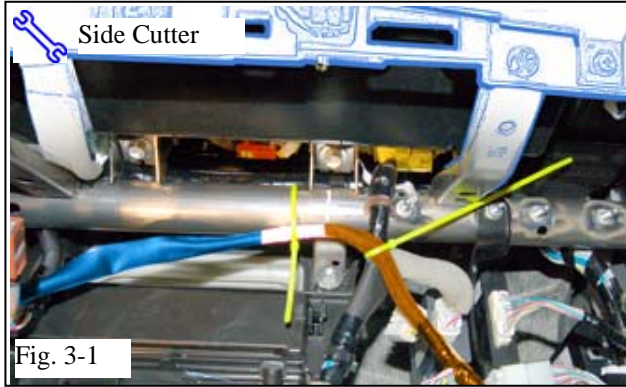


STOP **CAUTION:** Verify that the negative battery terminal is disconnected.

(m) Disconnect the Vehicle 2P Connector from the Passenger's Airbag Switch. (Fig. 2-11)

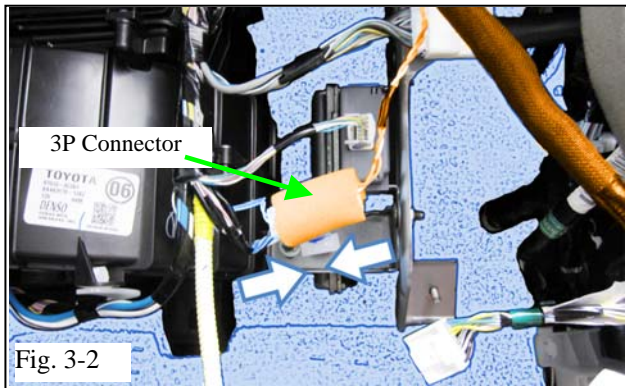


- (n) Remove the Vehicle's ECU. (Fig. 2-12)
 - (1) Remove 3 Nuts.

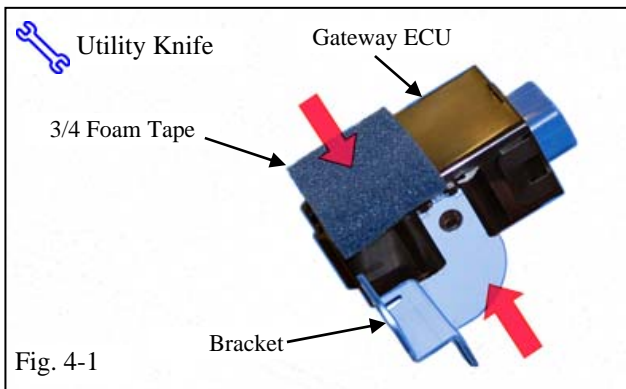


3. V4 Harness Installation. (Passenger's Side)

- (a) Secure the WHITE Tape Marker to the Vehicle Brace with 1 Wire Tie. (Fig. 3-1)
- (b) Secure the V4 Harness to the Vehicle Harness with 1 Wire Tie. (Fig. 3-1)

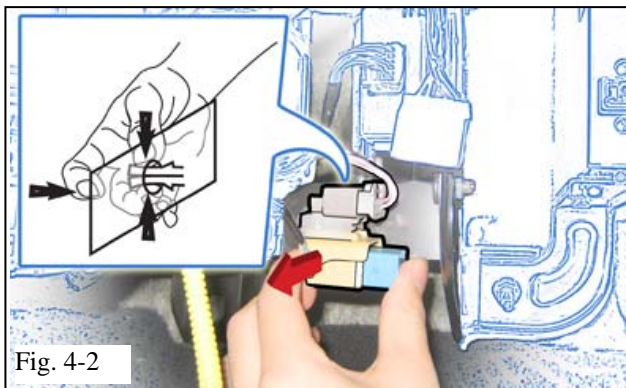


- (c) Locate the Vehicle's Pre-wire WHITE 3P Male Connector on the right side of the HVAC Center Duct. (Fig. 3-2)
- (d) Connect the V4 Harness's 3P Connector to the Vehicle's WHITE 3P Male Connector. (Fig. 3-2)

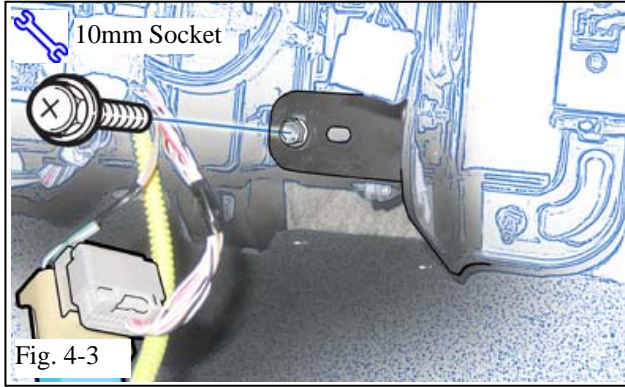


4. Gateway ECU Preparation and Installation.

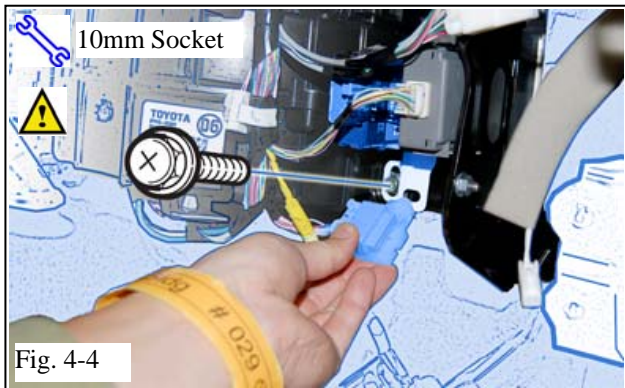
- (a) Apply 3/4 small piece of Foam Tape to the Gateway ECU as shown. (Fig. 4-1)
- (b) Attach the Gateway ECU Bracket to the Gateway ECU as shown. (Fig. 4-1)



- (c) Dislodge the Vehicle's Connector Block from the Vehicle's ECU Brace. (Fig. 4-2)

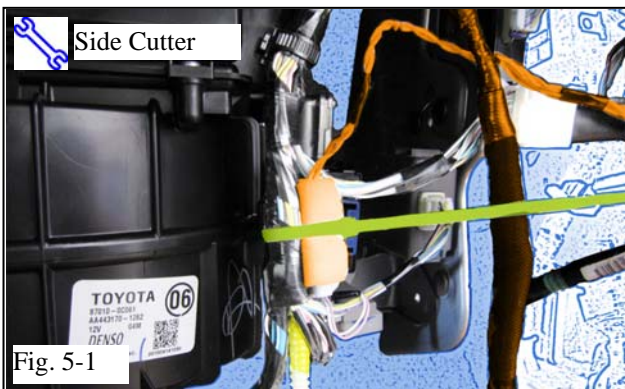


- (d) Remove the Bolt from the Vehicle. (Fig. 4-3)



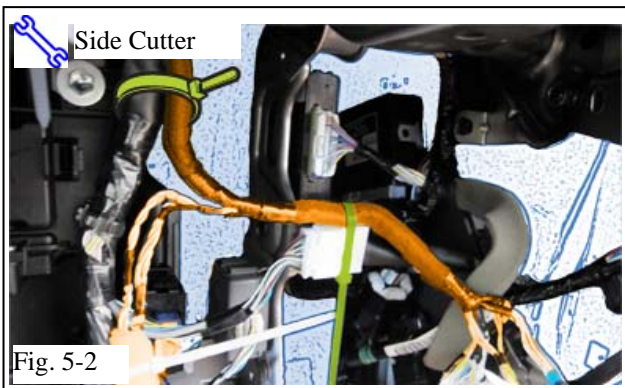
- (e) Install the Gateway ECU with the Connector facing outward. (Fig. 4-4)
 - (1) Use the Vehicle's Bolt to secure the ECU.
- (f) Attach the Vehicle Connector Block to the Gateway ECU Bracket. (Fig. 4-4)

⚠ NOTE: Position the Connector in the same position as it was removed. DO NOT rotate.



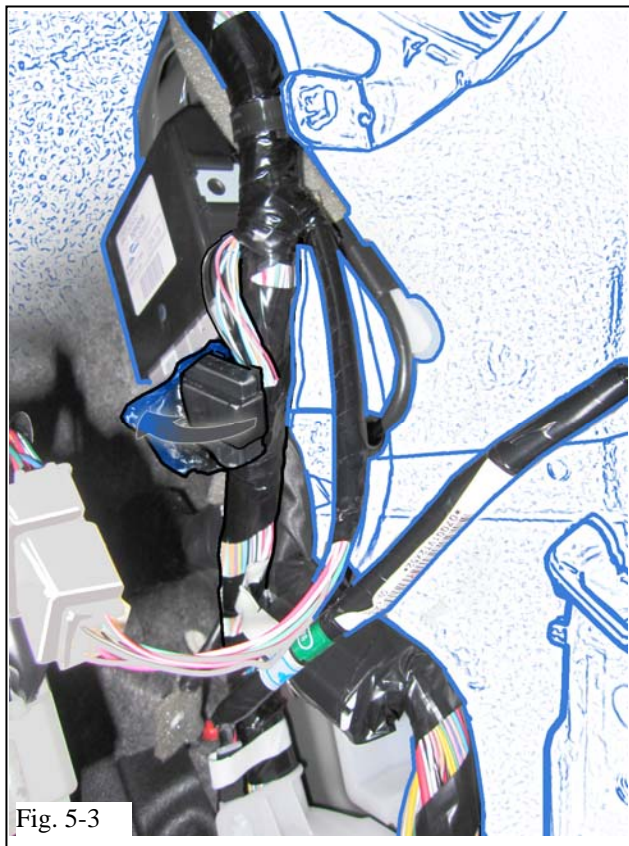
5. Passenger's Side Installation (Continued)

- (a) Connect the V4 Harness's 5P Connector to the Gateway ECU.
- (b) Secure the 3P Connectors and the V4 Harness to the Vehicle Harness with 1 Wire Tie. (Fig. 5-1)



- (c) Secure the V4 Harness to the Vehicle Harness with 1 Wire Tie. (Fig. 5-2)
- (d) Secure the V4 Harness to the Vehicle Connector with 1 Wire Tie. (Fig. 5-2)

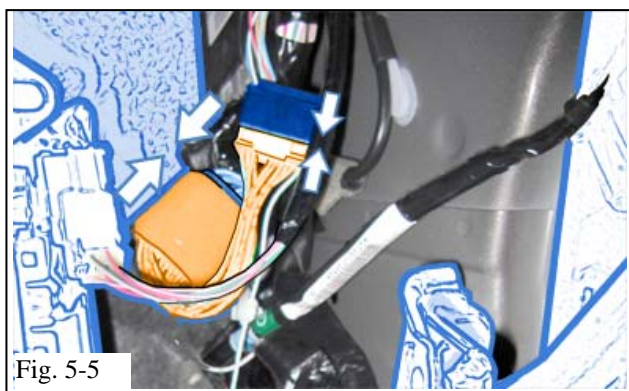
NOTE: If there is no Vehicle Connector, secure V4 Harness to the Vehicle Brace instead.



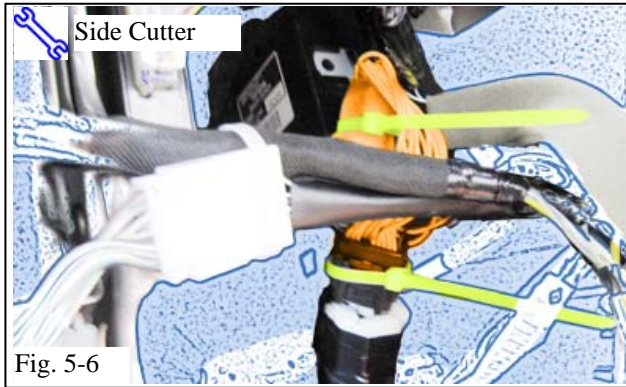
- (e) Carefully remove the Tape securing the Vehicle's 22P Connector. (Fig. 5-3)



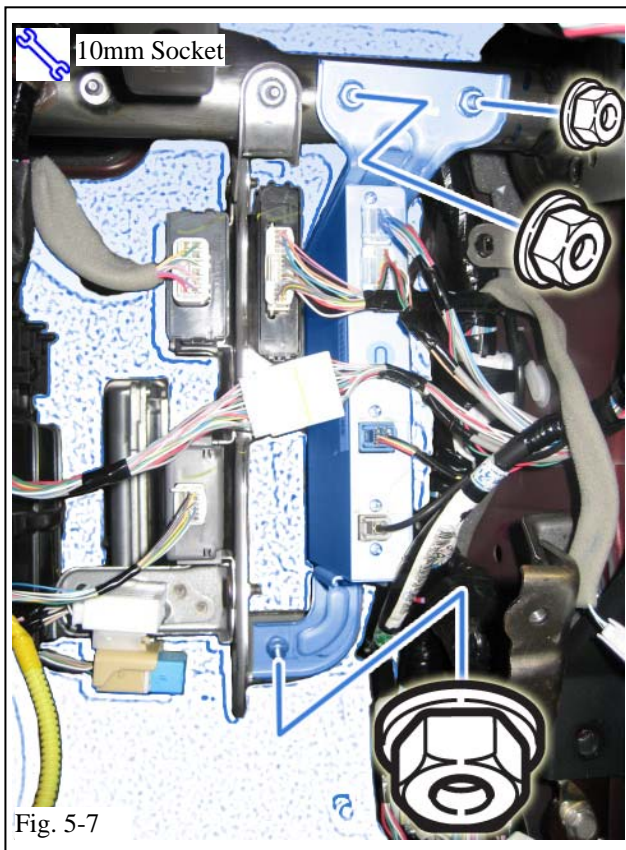
- (f) Remove the Connector Block from the Vehicle's 22P Connector. (Fig. 5-4)



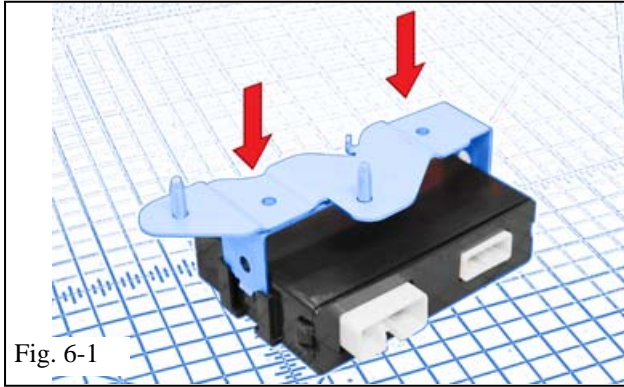
- (g) Connect the V4 22P Connectors in between the Vehicle's 22P Connector and the 22P Connector Block. (Fig. 5-5)



- (h) Secure the 22P Connectors and the V4 Harness to the Vehicle Harness using 2 Wire Ties. (Fig. 5-6)

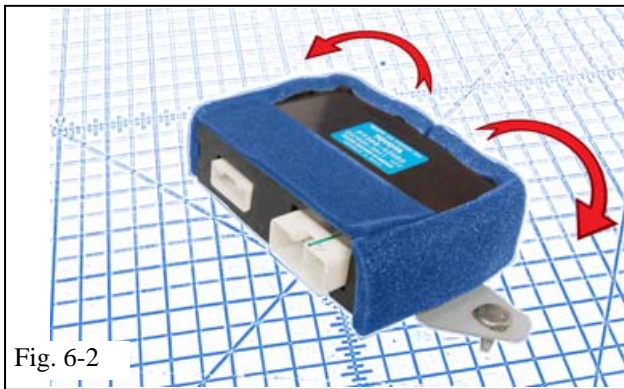


- (i) Reinstall the Vehicle's ECU. (Fig. 5-7)



6. RES ECU Preparation and Installation.

(a) Attach the RES ECU Bracket to the RES ECU as shown. (Fig. 6-1)

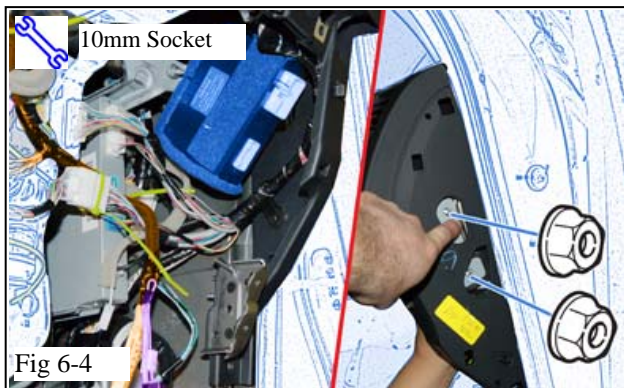


(b) Attach 2 pieces of Large Foam Tape to the sides of the RES ECU as shown. (Fig. 6-2)

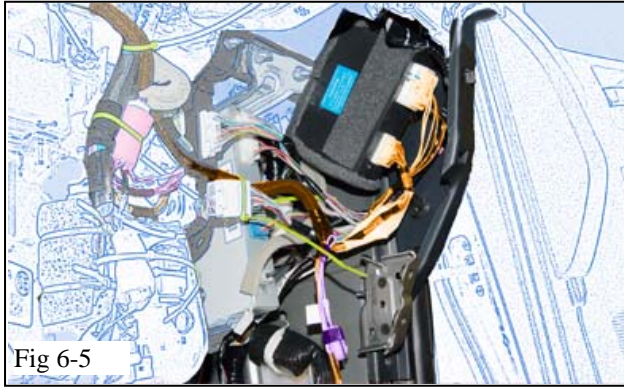
(c) Attach 1 Small Foam Tape on top of the RES ECU. (Fig. 6-2)



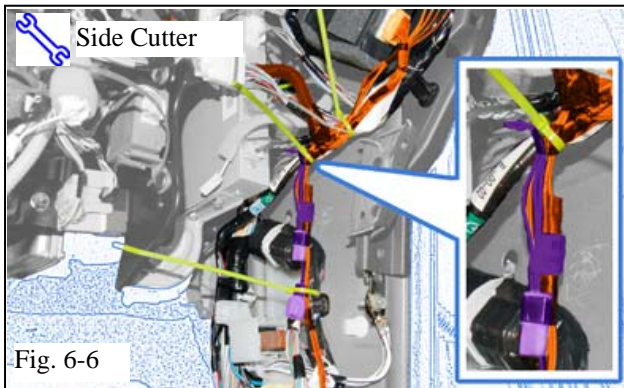
(d) Insert the V4 RES ECU Mounting Plate through the Hole on the side of the Dash. (Fig. 6-3)



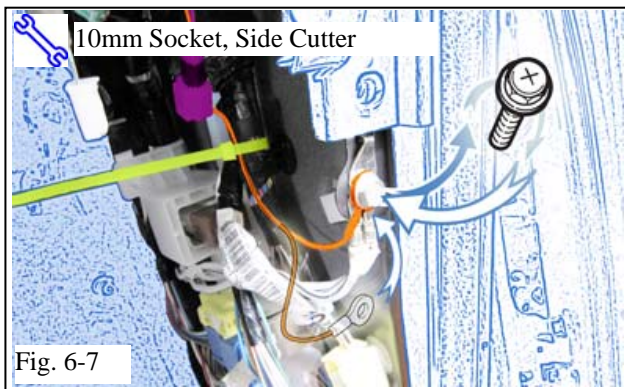
(e) Install the RES ECU as shown using 2 Nuts from the Kit. (Fig. 6-4)



- (f) Connect the V4 Harness's 8P and 20P Connectors to the RES ECU. (Fig. 6-5)



- (g) Route the V4 Harness as shown securing it to the Vehicle Harness with 3 Wire Ties. (Fig. 6-6)



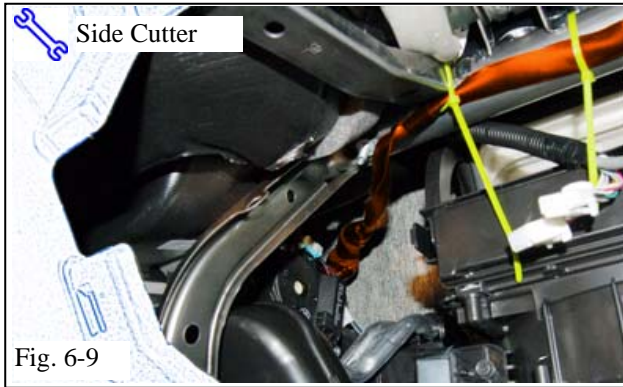
- (h) Remove the Bolt securing the Vehicle's Ground Terminal. (Fig. 6-7)
- (i) Secure the V4's Ground Terminal with the Vehicle's Ground Terminal using the same Bolt. (Fig. 6-7)



GO BACK TO THE V4 HARNESS'S WHITE TAPE MARKER.

Perform ONLY FOR VEHICLES WITH iPod Interface ECU (step j)

- (j) Dislodge the iPod Interface ECU. (Fig. 6-8)
 - (1) Remove 1 Nut.

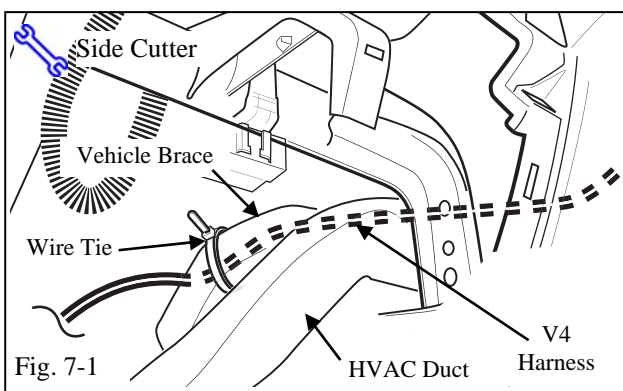


- (k) Route the V4 Harness behind the Center Brace towards the Driver's Side Area. (Fig. 6-9)
- (l) Use 2 Wire Ties to secure the V4 Harness to the Reinforcement in the Glove Box Area. (Fig. 6-9)



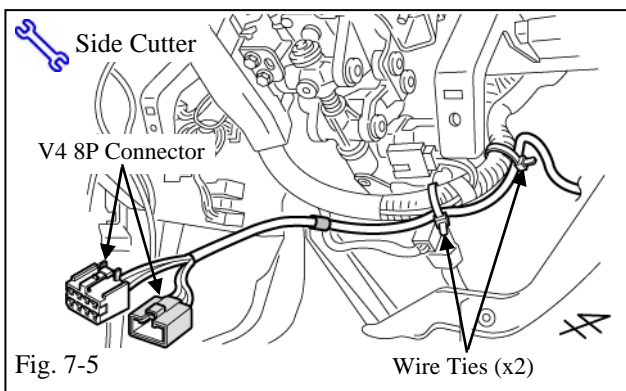
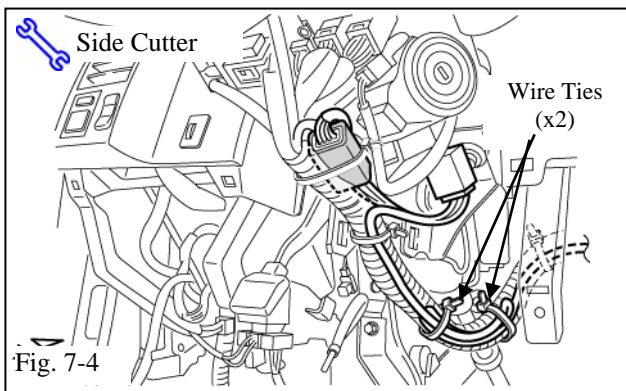
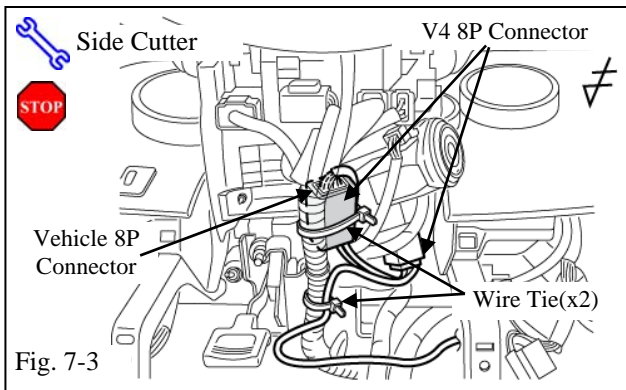
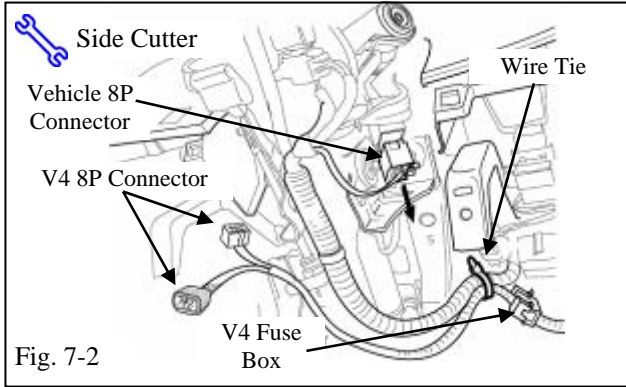
Perform ONLY FOR VEHICLES WITH iPod Interface ECU (step m)

- (m) Re-secure the iPod Interface ECU. (Fig. 6-10)



7. V4 Harness Installation. (Driver's Side)

- (a) Route the V4 Harness toward the Steering Column. (Fig. 7-1)
- (b) Secure the V4 Harness to the Foam Tape wrapped Vehicle Brace with 1 Wire Tie. (Fig. 7-1)

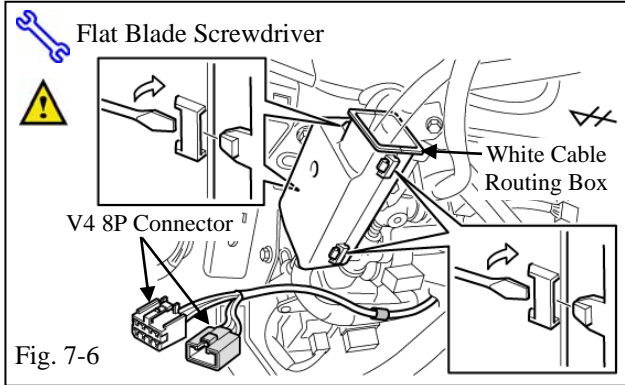


USE ONLY FOR VEHICLES WITH MANUAL STEERING TILT (steps c-h)

- (c) Secure the V4 Harness to the Vehicle Harness with 1 Wire Tie. (Fig. 7-2)
- (d) Locate and disconnect the Vehicle's WHITE 8P Ignition Connector. (Fig. 7-2)
- (e) Plug in the V4 Harness's 8P Connectors in between the Vehicle's 8P Ignition Connectors. (Fig. 7-3)
- (f) Use 1 Wire Tie to secure the 8P Connectors to the Vehicle Harness. (Fig. 7-3)
 - (1) Verify secure connection.
- (g) Use 1 Wire Tie to secure the V4 Harness to the Vehicle Harness. (Fig. 7-3)
- (h) Fold the excess V4 Harness in half and use 2 Wire Ties to secure the V4 Harness to the Vehicle Harness. (Fig. 7-4)

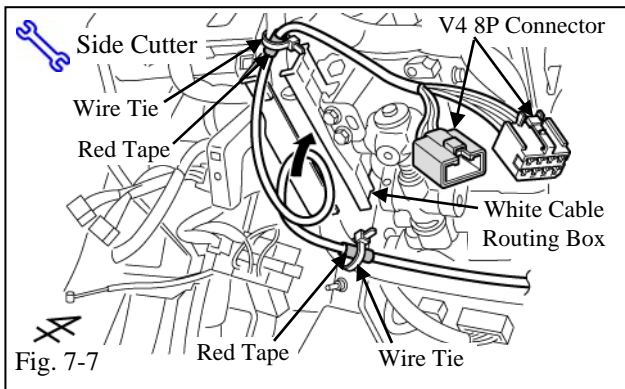
USE ONLY FOR VEHICLES WITH ELECTRONIC STEERING TILT. (steps i-r)

- (i) Secure the V4 Harness to the Vehicle Harness with 2 Wire Ties as shown. (Fig. 7-5)

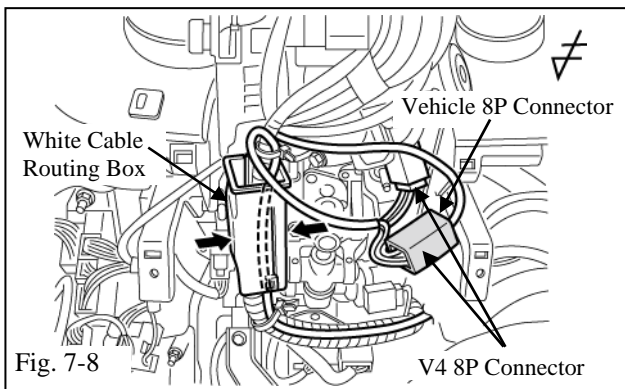


- (j) Open up the WHITE Cable Routing Box. (Fig. 7-6)

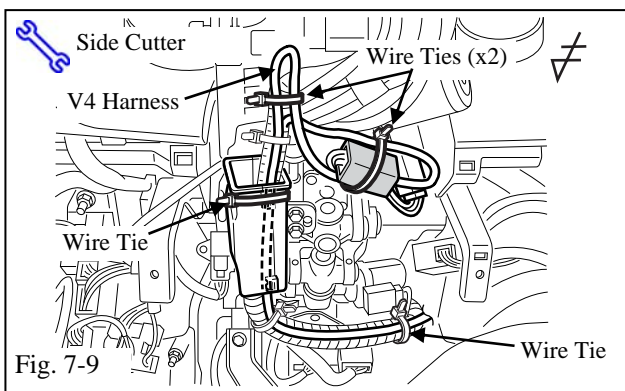
NOTE: Do not damage the clips excessively. They will discolor slightly but should not be broken.



- (k) Locate and secure the V4 Harness's 2 RED Tape Markers to the Vehicle Harness using 2 Wire Ties as shown. (Fig. 7-7)
- (l) Loop the V4 Harness once inside of the White Cable Routing Box. (Fig. 7-7)

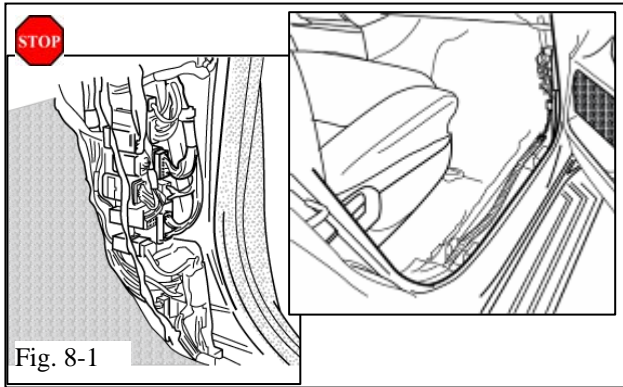


- (m) Close the WHITE Cable Wire Routing Box. (Fig. 7-8)
- (n) Locate and disconnect the Vehicle's WHITE 8P Ignition Connector. (Fig. 7-8)
- (o) Plug in the V4 Harness's 8P Connectors in between the Vehicle's 8P Ignition Connectors. (Fig. 7-8)



- (p) Use 1 Wire Tie to secure the 8P Connectors to the Vehicle Harness. (Fig. 7-9)
- (q) Use 2 Wire Ties to secure the V4 Harness to the Vehicle Harness. (Fig. 7-9)
- (r) Use 1 Wire Tie to secure the WHITE Cable Routing Box as shown. (Fig. 7-9)

8. Partial Reassembly.

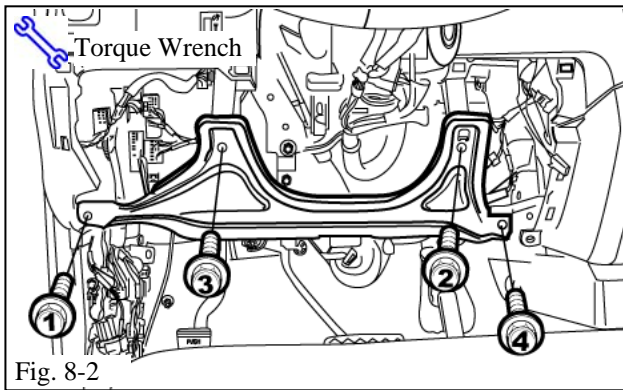


- (a) Reassemble the Vehicle, except for the Passenger's Cowl Cover and Step Cover. (Fig. 8-1)

S **NOTE:** When reinstalling the Passenger's Side Knee Airbag, make sure to tighten the Bolts to 88.5 in•lbf (10 N•m).

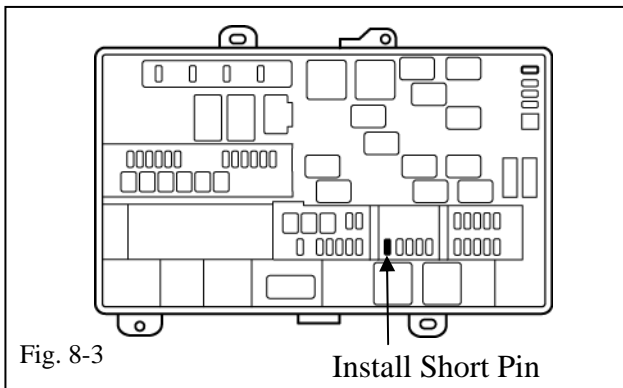
STOP **VERIFY:** That Panels fit together properly, with no uneven gaps.

STOP **VERIFY:** That all Connectors are reconnected.



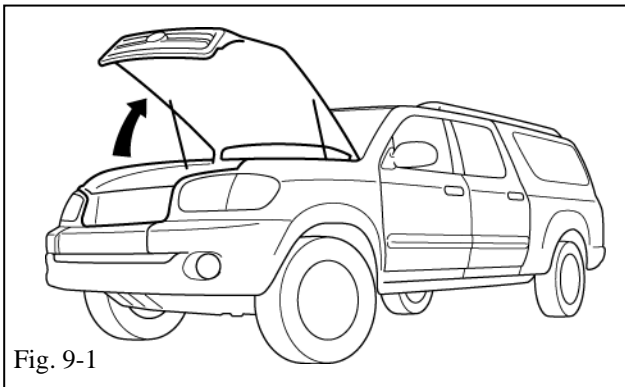
- (b) When installing the Driver's side Knee Airbag, install the bolts in the specified order. (Fig. 8-2)

S (1) Tighten the bolts to 88.5 in•lbf (10 N•m)



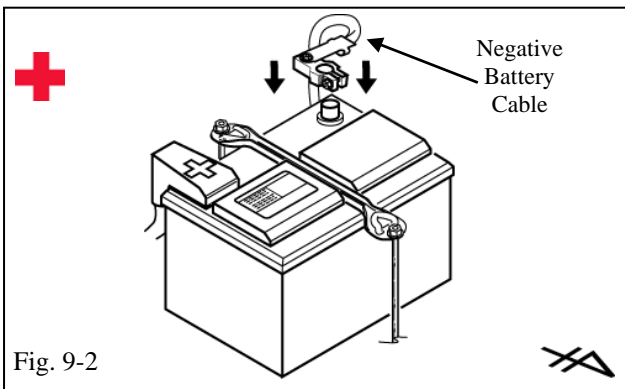
- (c) Verify that the Short Pin is installed. (Fig. 8-3)

(1) If not, install it now.



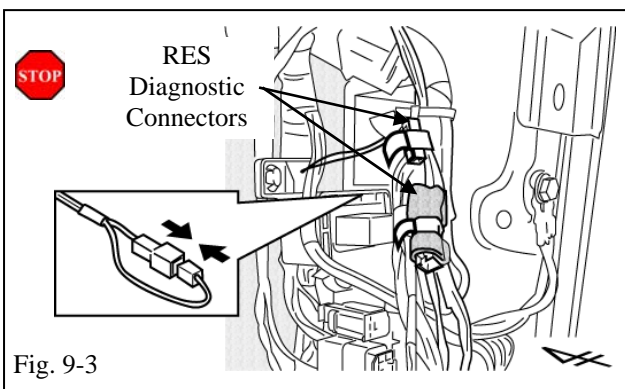
9. Registration (steps a-z).

(a) Open the Hood. (Fig. 9-1)



(b) Temporarily reconnect the Vehicle's Negative Battery Cable. (Fig. 9-2)

+ **CAUTION:** Do not touch the Positive terminal.



(c) Locate and remove the Tape securing the V4 Harness's WHITE 1P Connectors in the Passenger's Side Cowl Area and connect them. (Fig. 9-3)

STOP ONCE CONNECTED YOU WILL HAVE 10 MINUTES TO COMPLETE STEPS d-x.

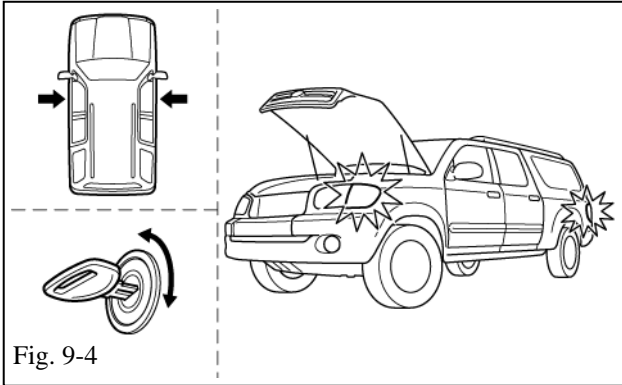


Fig. 9-4

- (d) Close all doors. (Fig. 9-4)
 - (1) Do not close the Hood.
- (e) Insert the key into the ignition. (Fig. 9-4)
- (f) Turn it from “OFF” to “ON” 5 times. (Fig. 9-4)

LOOK: for the hazard lights to flash Once.

- (g) Turn the key to the "OFF" position.

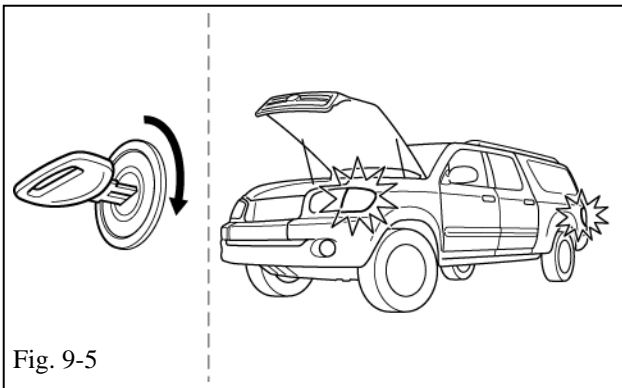


Fig. 9-5

- (h) Start the Engine. (Fig. 9-5)
- (i) After 10 seconds stop the Engine. (Fig. 9-5)

LOOK: for the hazard lights to flash Once.

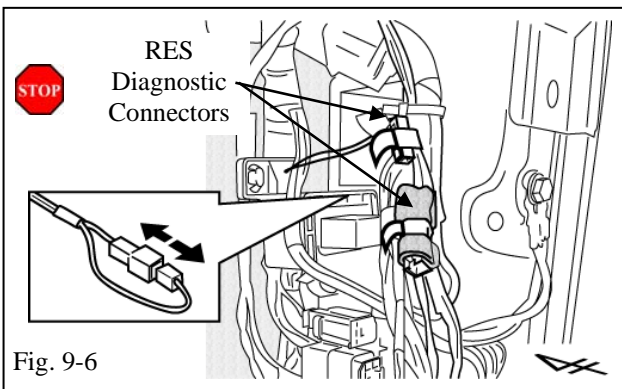


Fig. 9-6



If this procedure failed, the Hazard Lights won't flash or will flash 2 times.

- Disconnect the V4 Harness's WHITE 1P Connectors in the Passenger's Side Cowl Area. (Fig. 9-6)
- Start again from step (c).

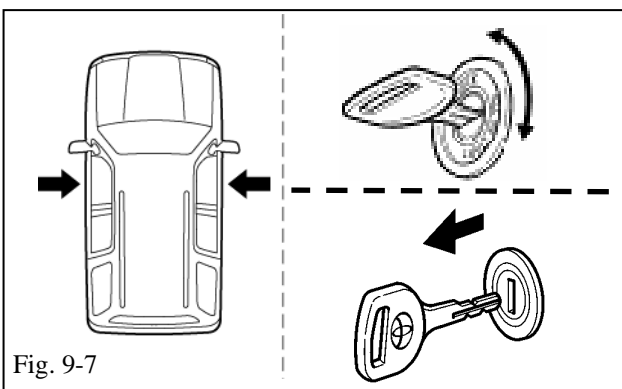


Fig. 9-7

- (j) Verify that all doors are closed. (Fig. 9-7)
 - (1) Do not close the Hood.
- (k) Turn the Key to the "ON" position and back to the “OFF” position. (Fig. 9-7)
- (l) Remove the Key from the ignition switch. (Fig. 9-7)

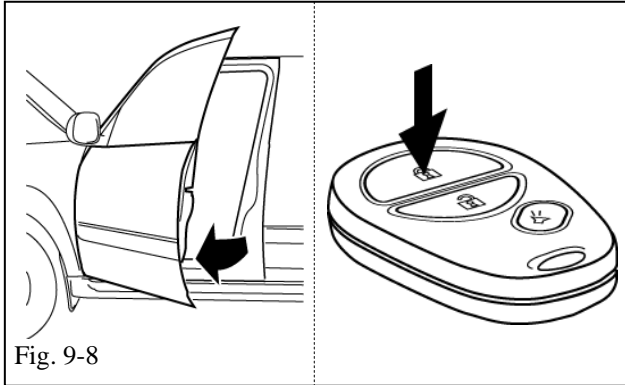


Fig. 9-8

(m) Open the Driver's Door. (Fig. 9-8)



ONCE OPEN, YOU HAVE 20 SECONDS TO COMPLETE STEPS n-q.

(n) Using the Remote, press the Lock Button twice within 2 seconds. (Fig. 9-8)

(o) Press and hold the lock button for 4 seconds. (Fig. 9-8)

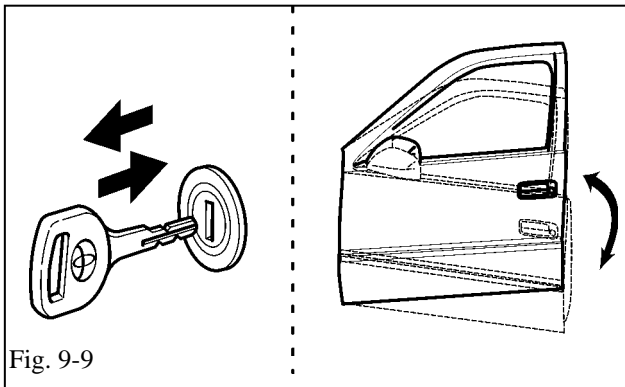


Fig. 9-9

(p) Insert the Key into the ignition. (Fig. 9-9)

(q) Remove and insert the Key into the ignition 6 times. (Fig. 9-9)

(r) Turn the Key to the "ON" position.

(s) Close the Driver's Door.

(t) Open and close the Driver's Door 7 times ending in Close position. (Fig. 9-9)

(1) Complete these steps within 35 seconds.

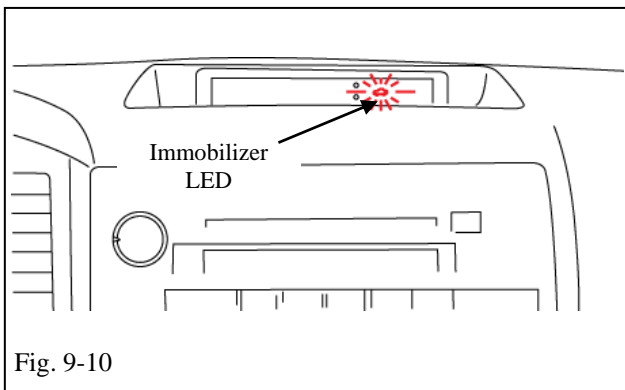


Fig. 9-10

LOOK: for the Immobilizer LED to turn On for 1 Second and then turn Off

(u) After 1 second, look for the LED to turn on and stay on. (Fig. 9-10)

(v) Remove the Key from the Ignition Switch.

LOOK: for the Immobilizer LED to turn off.

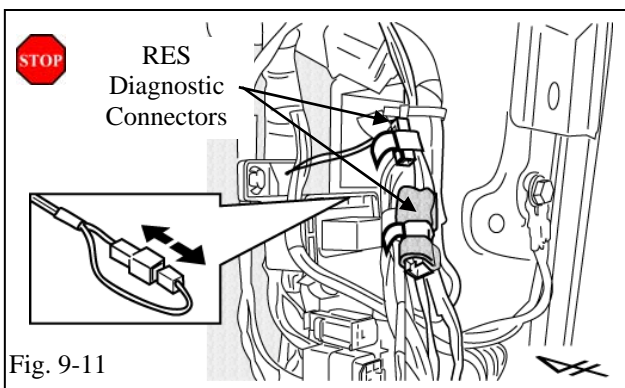
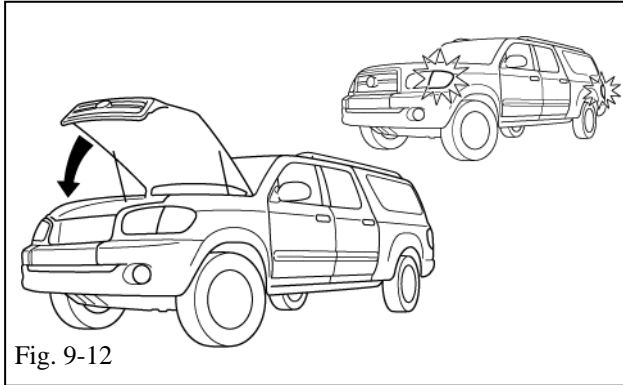


Fig. 9-11



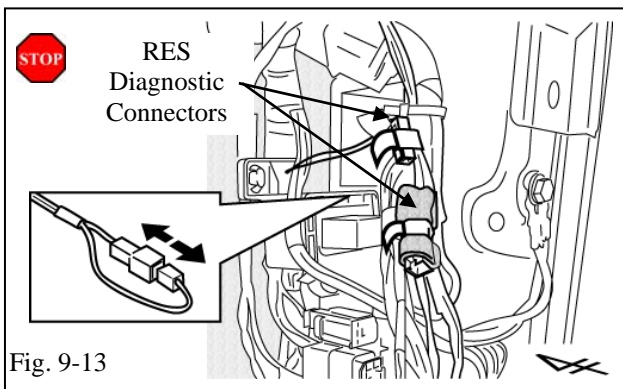
If this procedure failed, registration has failed.

- Disconnect the V4 harness's WHITE 1P Connector from the Passenger's Side Cowl Area. (Fig. 9-11)
- Start again from step (c).



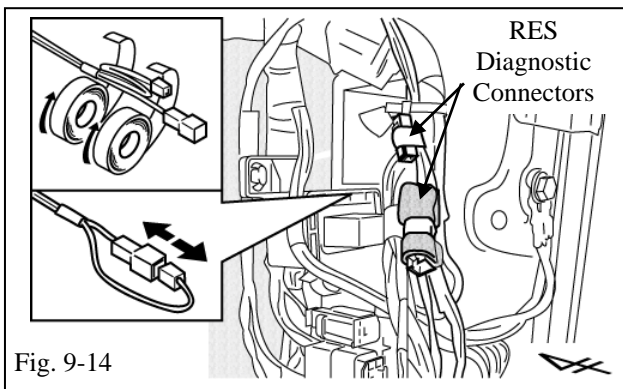
- (w) Exit the Vehicle.
- (x) Close the Hood. (Fig. 9-12)

LOOK: for the hazard lights to flash twice.



STOP If this procedure failed, the Hazard Lights flash 3 times.

- Disconnect the V4 harness's WHITE 1P Connector in the Passenger's Side Cowl Area. (Fig. 9-13)
- Start again from Step (c).



- (y) After a Successful Registration disconnect the V4 Harness's WHITE 1P Connectors (Fig. 9-14)
- (z) Secure the V4 Harness and 1P Connectors with Electrical Tape as shown. (Fig. 9-14)

10. Tags and Label Installation.

For US Vehicles use the English Labels and Dispose of the Spanish Labels.

For Mexico Vehicles use the Spanish Labels and Dispose of the English Labels.

- (a) Remove 2 of the Remote Controls from their protective bag.

- (1) Use a Utility Knife, to cut a slit in each bag.

- (b) Using VDC approved cleaner and Cleaning Method, clean the area indicated on the Remote Controls. (Fig. 10-1)

- (c) Attach the Key Label to the Remote Controls as shown. (Fig. 10-1)

- (1) Use a piece of Clean Adhesive Tape to lift the labels off their protective backing.

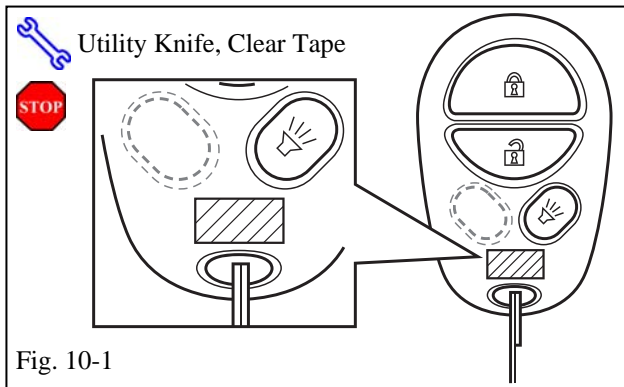


Fig. 10-1



CAUTION: Do not touch the adhesive surface.

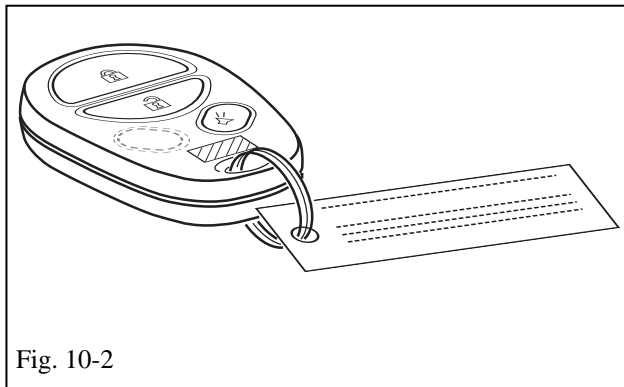


Fig. 10-2

- (d) Attach the Remote Engine Starter Key Tags to the Vehicle Remotes. (Fig. 10-2)

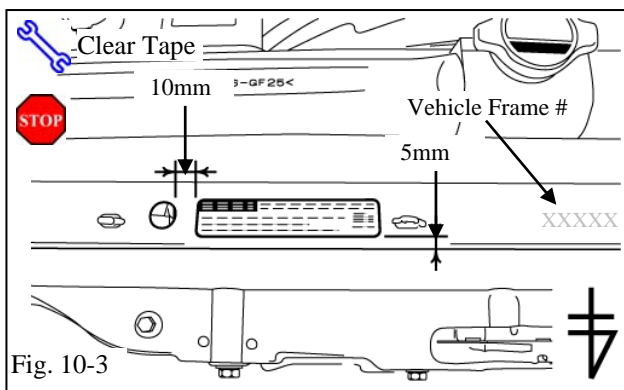


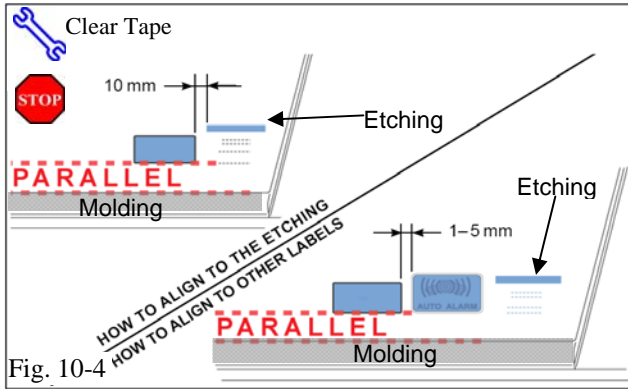
Fig. 10-3



- (e) Using VDC approved cleaner and Cleaning Method, clean the area indicated on the Engine Compartment. (Fig. 10-3)

- (f) Attach the Warning Label to the Engine Compartment on the Left Hand Side as shown. (Fig. 10-3)

CAUTION: Do not touch the adhesive surface.



- (g) Use Household Glass Cleaner to clean the inside of the Front Door Window.
- (h) Use a piece of Clear Tape to lift the Label from the protective backing.

STOP CAUTION: Do not touch the adhesive surface.

- (i) Attach the Label as shown. (Fig. 10-4)

STOP NOTE: Make sure to Align according to Etching or Other Label. (Fig. 10-4)

REPEAT: steps g-i with the other Window.

11. Completing the Installation.

- (a) Complete the reassembly of the vehicle.

STOP VERIFY: That panels fit together properly, with no uneven gaps.

STOP VERIFY: That all Connectors are reconnected.

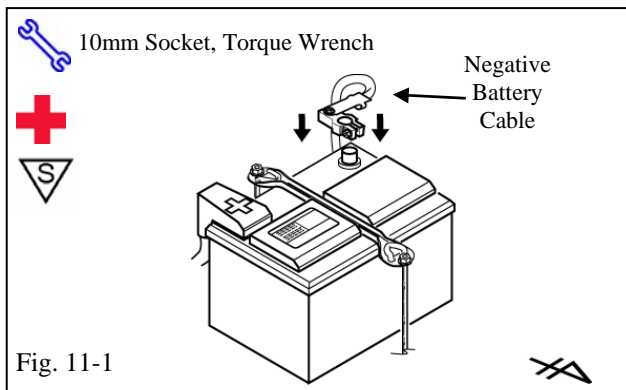
- (b) Position the Negative Battery Cable at the original factory position. (Fig. 11-1)

- (1) Tighten the Nut to 52 in•lbf (5.9 N•m).

S Torque: 52 in•lbf (5.9 N•m)

+ CAUTION: Do not touch the Positive terminal.

- (c) Clean up and remove any Trash.
- (d) Sealed in its protective bag, place the Owner's Manual in the glove box.
- (e) Reset the power windows.
 - (1) Turn Ignition Key to the "ON" position.
 - (2) Push down the Power Window Switches, and lower the windows halfway.
 - (3) Pull up the switches until the windows close.
 - (4) Continue holding up on the switches for a minimum of 1 second.



Accessory Function Checks

Close the hood, enter the vehicle and close all doors. Place the shift lever in the “P” (Park) position, set the parking brake and make sure the Vehicle is off.

Perform		Look For
1	Press the remote control’s lock button twice within 2 seconds, then press and hold the lock button for 3 seconds.	The hazard lights flash after 3 seconds. The engine starts. The hazard lights flash repeatedly for 20 seconds.
2	With the engine running, pull the hood release handle.	The engine stops. The hazard lights flash once. The security alarm triggers. (only if equipped with OE Factory Alarm, not Genuine Accessory alarm, and only if armed)
3	Move the shift lever out of “P” (Park). Attempt to start the Vehicle using the remote.	The engine does not start.

Vehicle Appearance Check

Perform		Look For
<input type="checkbox"/>	After accessory installation and removal of protective cover(s), perform a visual inspection of the vehicle.	Ensure no damage (including scuffs and scratches) was caused during the installation process. (For PPO installations, refer to TMS Accessory Quality Shipping Standard.)









Vehicle Function Checks

Function	Function
----------	----------

Enter the Vehicle

<input type="checkbox"/> Dome/Courtesy Lights	<input type="checkbox"/> Steering Wheel Column Adjusts Without Interference
<input type="checkbox"/> Horn	<input type="checkbox"/> Hood Latch Release

Start the Vehicle

<input type="checkbox"/> Starter	<input type="checkbox"/> Gauges
<input type="checkbox"/> Check Engine Light <i>If the warning light remains on, it may indicate a system malfunction.</i> 	<input type="checkbox"/> ABS Light (if equipped) <i>If the warning light remains on, it may indicate a system malfunction.</i> 
<input type="checkbox"/> Lamp Failure Sensor <i>If the warning light remains on, it may indicate a system malfunction.</i> 	<input type="checkbox"/> Track/Skid Control Light (if equipped) <i>If the warning light remains on, it may indicate a system malfunction.</i> 
<input type="checkbox"/> Seat Belt Warning Light <i>If the warning light remains on, it may indicate a system malfunction.</i> 	<input type="checkbox"/> Tire Pressure Monitoring System (TPMS) (if equipped) <i>Prior to TPMS activation and Pre-delivery Service (PDS) of the Vehicle the TPMS light will blink when IG is turned on.</i> <i>After TPMS activation and PDS of the Vehicle the TPMS light will illuminate for a few seconds and go off when IG is turned on.</i> 
<input type="checkbox"/> Air Bag Warning Light <i>If the warning light remains on, it may indicate a system malfunction.</i> 	
<input type="checkbox"/> Cruise Control Light (if equipped) 	

Using a Mirror or Assistant check the following.

<input type="checkbox"/> Trunk/Tailgate/Bed Lights (if equipped)	<input type="checkbox"/> Tail Lights
<input type="checkbox"/> Brake Lights	<input type="checkbox"/> Daytime Running Lights (if equipped)
<input type="checkbox"/> Backup Lights	<input type="checkbox"/> Marker Lights
<input type="checkbox"/> Clearance Sonar (if equipped)	

Stop the Engine, Place the Vehicle's IG in the ON position.

<input type="checkbox"/> Hazard Lights	<input type="checkbox"/> Turn Signal Lights
<input type="checkbox"/> Head Light	<input type="checkbox"/> Fog Lights (if equipped)
<input type="checkbox"/> High Beams	<input type="checkbox"/> Accessory Controls/Illumination (if equipped)
<input type="checkbox"/> Power Side Mirrors (if equipped)	<input type="checkbox"/> Convenience Memory Settings (if equipped)
<input type="checkbox"/> Power Sliding Door (if equipped)	<input type="checkbox"/> Rear Sunshade (if equipped)

Function		Function	
<input type="checkbox"/>	Front Wiper/Washer	<input type="checkbox"/>	Rear Wiper/Washer (if equipped)
<input type="checkbox"/>	Power Sun/Moon Roof (if equipped)	<input type="checkbox"/>	Rollover Side Curtain Air Bag Switch (RSCA) (if equipped)
<input type="checkbox"/>	Clock (if equipped)	<input type="checkbox"/>	Navigation System (if equipped)
<input type="checkbox"/>	Audio/Video (if equipped)	<input type="checkbox"/>	HVAC
<input type="checkbox"/>	Steering Wheel Audio Control (if equipped)	<input type="checkbox"/>	Rear Window Defogger (if equipped)
<input type="checkbox"/>	Front Windshield Defogger (if equipped)	<input type="checkbox"/>	Accessory Power Socket (if equipped)
<input type="checkbox"/>	Side Mirror Defogger (if equipped)	<input type="checkbox"/>	Heated/Vented Seats (if equipped)
<input type="checkbox"/>	Massage Seats (if equipped)		
<input type="checkbox"/>	Glovebox Light (if equipped)	<input type="checkbox"/>	Passenger Air Bag Switch (if equipped)
<input type="checkbox"/>	Power Locks (if equipped)	<input type="checkbox"/>	Power Windows (if equipped)
<input type="checkbox"/>	Power Seats (if equipped)	<input type="checkbox"/>	Key Sensor Buzzer

Remove the short pin after Function check.

Check with your Port/Dealer to see if this step is necessary.

